

# CP-3 CONTAINER TRANSPORT



## ONE TRUCK. MULTIPLE CONTAINERS. NO TRAILER.

The CP-3 lifts and hauls containers, letting you get the job done quicker with no trailer required. Minimize the headache and downtime that come with hooking up, loading, hauling, and backing a trailer.

*Here Are a Few More Benefits:*

- 🔸 **Safer, Simpler Operation**  
*No straps or manhandling required – the operator stays off the ground*
- 🔸 **Efficient Operation**  
*With no trailer, jobs get done quicker*
- 🔸 **Less Maintenance**  
*Fewer moving parts and industry-leading quality mean less downtime*
- 🔸 **Reduce Windshield Time**  
*High capacity body carries multiple containers*



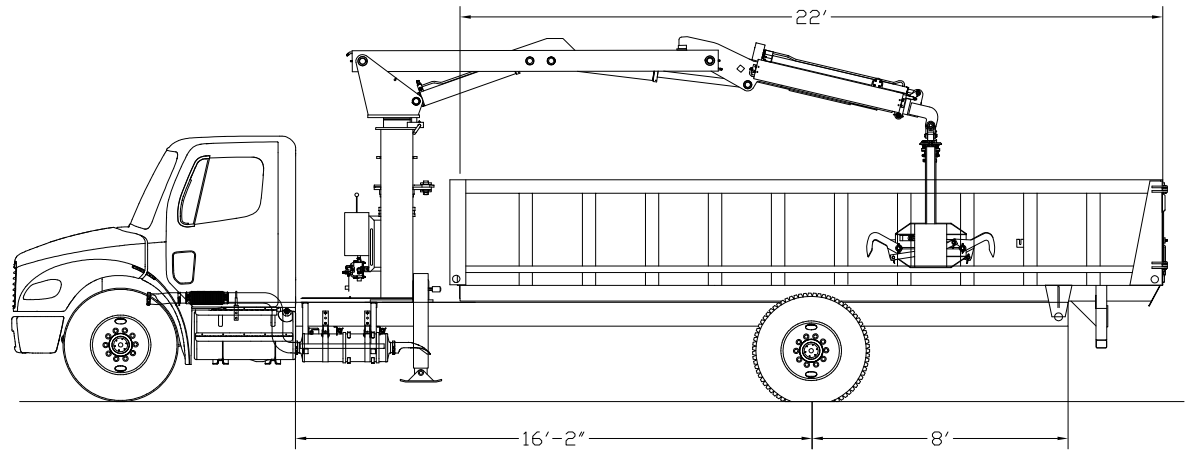
**American born. American made.**  
Efficient, dependable one-man operations for secure solid waste removal. Revolutionizing grapple trucks since 1957 and home to the original, industry-defining Lightning Loader®.

**WE BUILD LEGENDS®.**



## GENERAL SPECIFICATIONS

Reach (from centerline rotation)	20 ft. 7 in.
Outrigger Span	11 ft. 8 in.
Boom Rotation	360° Non-Continuous



## SYSTEM DESCRIPTION

- Purpose built Lightning Loader® for commercial container delivery
- Low body sides for easy loading
- Crab container lifting attachment engineered to automatically lock onto ANSI compliant commercial front load containers
- Quickly changes to bulk waste use with addition of interchangeable grapple
- QUADSTICK® mechanically linked dual joystick controls with "Sure-Grip" safety interlock
- This system complies with Part 393.100 of the Federal Motor Carrier Safety Administration (FMCSA)

## RECOMMENDED CHASSIS (MINIMUM)

<b>Body Style</b>	Conventional Cab	<b>Frame</b>	1,500,000 RBM
<b>Cab-to-Axle Dimension</b>	192 in.	<b>Frame Thickness</b>	11/32" Minimum
<b>Front Axle Rating</b>	12,000 lbs.	<b>Engine</b>	230 HP Diesel
<b>Rear Axle Rating</b>	21,000 lbs.	<b>Transmission</b>	Allison 3000 RDS Automatic*
<b>GVW Rating</b>	33,000 lbs.		

\*Tandem pump hydraulic system requires the transmission to handle 450 lb - ft on the PTO gear.

## LIFT CAPACITY

Radius	Load Capacity
10 ft. radius	7,100 lbs.
16 ft. radius	4,400 lbs.
20 ft. radius	3,200 lbs.

## POPULAR OPTIONS

- Boom mounted flood lights for low-light operation
- Interchangeable grapple bucket
- Safety Strobes: Outriggers, Head, Rear
- 48" Underbody tool box for storage

SCAN TO  
LEARN MORE



4000 SR 60 West  
Lake Wales, FL 33859

**1.800.930.LOAD (5623)**



**PETERSENIND.COM**  
Contact Us Today To Learn More