

LOADMASTER™

906.563.9226
www.loadmaster.org



Elite



The Loadmaster Elite is our small, high compaction 1000 pound per yard refuse body. The Elite is available in 6,8,10, and 11 yd sizes all available on under CDL chassis. Allowing access to tight areas like driveways and sidewalks.



906.563.9226





Your safety is a top priority, we offer many different lighting packages. Flush mount strobe systems, flashing light bars, directional indicators, etc.

Heavy duty packing blades with a 3/16" sweep blade face and a 7ga slide blade face.

Full 1000 pounds per yard compaction and a one yard hopper capacity makes the Elite a compact but productive machine.

Cart tippers and container lifting options available. Container latch kit and hydraulic drum winch for lifting rear load containers available.



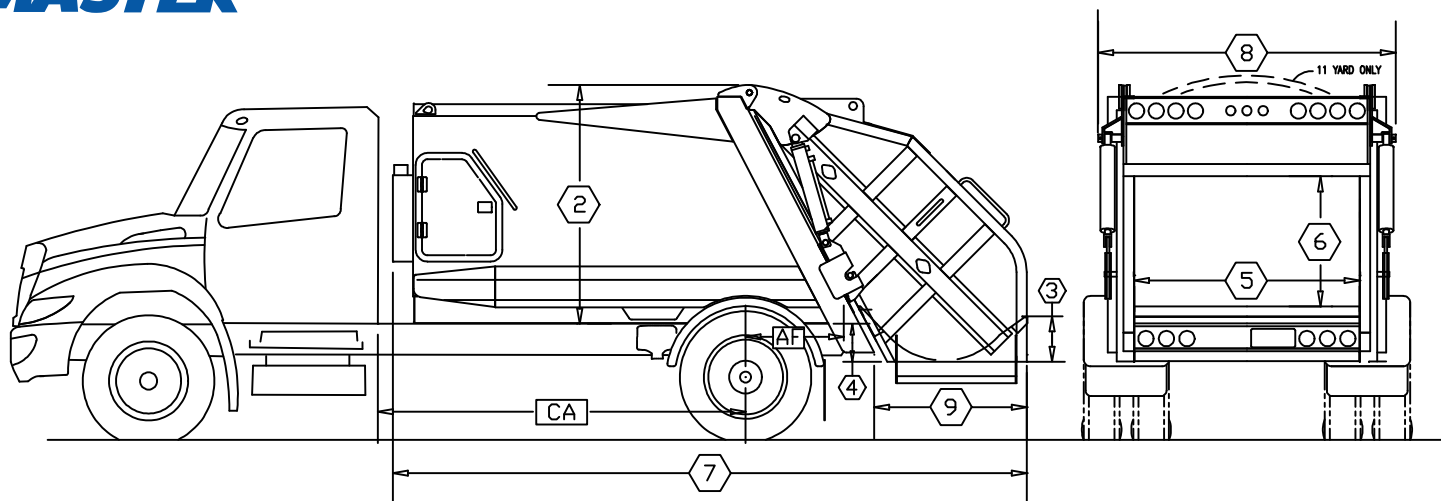
906.563.9226



Strong, smooth, curved 10 gauge high tensile body sides. Designed to look good on any chassis. The smooth sides provide a good surface for decals, signs and other advertising. 10 ga high tensile body sides, 10 ga high tensile body roof, 3/16" body floor.

The Elite is available on under CDL chassis Isuzu, Chevrolet, Ford, Dodge and others. Minimum GVWR of 17,000 for the 6 cu. yd. Elite body.

Auto locks standard, the Elite is equipped with autolocks actuated automatically when the tailgate lift handle is operated.



Dimensional Specifications

| 1 | Available Body Volumes | 6 yd | 8 yd | 10 yd | 11 yd |
|----|---------------------------------------|----------|----------|----------|----------|
| 2 | Height Above Chassis Frame | 69 3/4" | 69 3/4" | 69 3/4" | 73 1/4" |
| 3 | Depth of Hopper | 13" | 13" | 13" | 13" |
| 4 | Hopper Below Chassis Frame | 11" | 11" | 11" | 11" |
| 5 | Hopper Inside Width | 66" | 66" | 66" | 66" |
| 6 | Hopper Opening Height | 41" | 41" | 41" | 41" |
| 7 | Overall Length | 161 3/4" | 185 3/4" | 209 3/4" | 209 3/4" |
| 8 | Overall Width | 85 1/2" | 85 1/2" | 85 1/2" | 85 1/2" |
| 9 | Rear of Body to Rear of Tailgate | 44 3/4" | 44 3/4" | 44 3/4" | 44 3/4" |
| 10 | Approximate Body Weight (lbs.) | 7,200 | 7,700 | 8,200 | 8,500 |
| 11 | Load Sill Below Chassis Frame | 2" | 2" | 2" | 2" |
| 12 | Hopper Capacity | 1 yd | 1 yd | 1 yd | 1 yd |
| 13 | Height Above Frame (With Gate Raised) | 118 | 118 | 118 | 118 |

Chassis Notes

All chassis must have ahead of rear axle fuel tank. It is the dealers responsibility to make sure to order ahead of rear axle fuel tank. if a truck arrives at Loadmaster the dealer will be charged.

For the Elite 8 the Isuzu wheelbase 132.5" is the correct wheelbase. and horizontal exhaust is needed.

For the Elite 6 the Isuzu wheelbase 132.5" is the workable Isuzu wheelbase there will be a significant cab gap this space can be taken up by the verticle exhaust or a tool box.



Loadmaster's dedication to customer service and satisfaction means we will modify and customize options and features to meet the unique demands of any customer's route. To learn more about what Loadmaster can do for you, give your local dealership a call.

Standard Material Specifications

Chassis Recommendations

| Body Size | Min. GVWR | CA | Min. AF |
|-----------|-----------|------|---------|
| 6 yd | 17,000 | 85" | 34" |
| 8 yd | 21,000 | 108" | 34" |
| 10 yd | 25,500 | 134" | 34" |
| 11 yd | 25,500 | 134" | 34" |

| | |
|-----------------------|-------------------------------|
| Body Sides | 10 gauge grade 80 |
| Body Floor | 3/16" gauge |
| Body Roof | 10 gauge grade 80 |
| Floor Longitudinals | 3" x 8" x 3/16" boxed channel |
| Ejector Track channel | 1/4" elevated channel |
| Lower Tailgate Sides | 3/16" T-1 |
| Upper Tailgate Sides | 10 ga grade 80 |
| Hopper Floor | 3/16" T-1 |
| Separator Panel | 3/16" T-1 abrasion resistant |
| Ejector Face Panel | 10 ga high tensile |
| Ejector Shoes | UHMW |
| Sweep Face Panel | 3/16" T-1 alloy |
| Slide Face Panel | 7 gauge Grade 80 |
| Slide Blade Shoes | Nylatron NSM & UHMW |



100 9th Ave.
P.O. Box 186
Norway, MI 49870
Proudly made in Norway, Michigan



Loadmaster reserves the right to change specifications without notice and without obligation to install them on units sold. Information published is informational only and shall not be construed to warrant suitability of the unit for any particular purpose as performance may vary with the conditions encountered. Illustrations shown may include optional equipment and accessories, and may not include all standard equipment.

906.563.9226

www.loadmaster.org