

# *Excel & Excel-S*



**LOADMASTER**<sup>TM</sup>

[www.loadmaster.org](http://www.loadmaster.org)

906.563.9226



## *High Compaction High Performance*

The *EXCEL* and *EXCEL-S* is our high compaction rugged performance body. With a 1000-1250 pound per cubic yard compaction rate and large 3.7 cubic yard hopper the Excel body is a productive machine. With multiple container handling, cart tippers, strobe lights, and other options we can meet your refuse and recycling needs.



906.563.9226







A plethora of options available to customize your truck the way you like. We have created many different convenience options to help maintain and operate the truck. Everything from remote grease lines to cart tipper and commercial container handling equipment

Large 3.7 cubic yard hopper size and a fast 22-23 second cycle time the Excel will keep you moving. The combination of the large hopper and fast cycle time means you will be spending less time waiting for the body to catch up.

Robust hopper designed to last. 3/16" TP100 lower hopper walls and 1/4" AR400 hopper floor for superior abrasion resistance.



906.563.9226



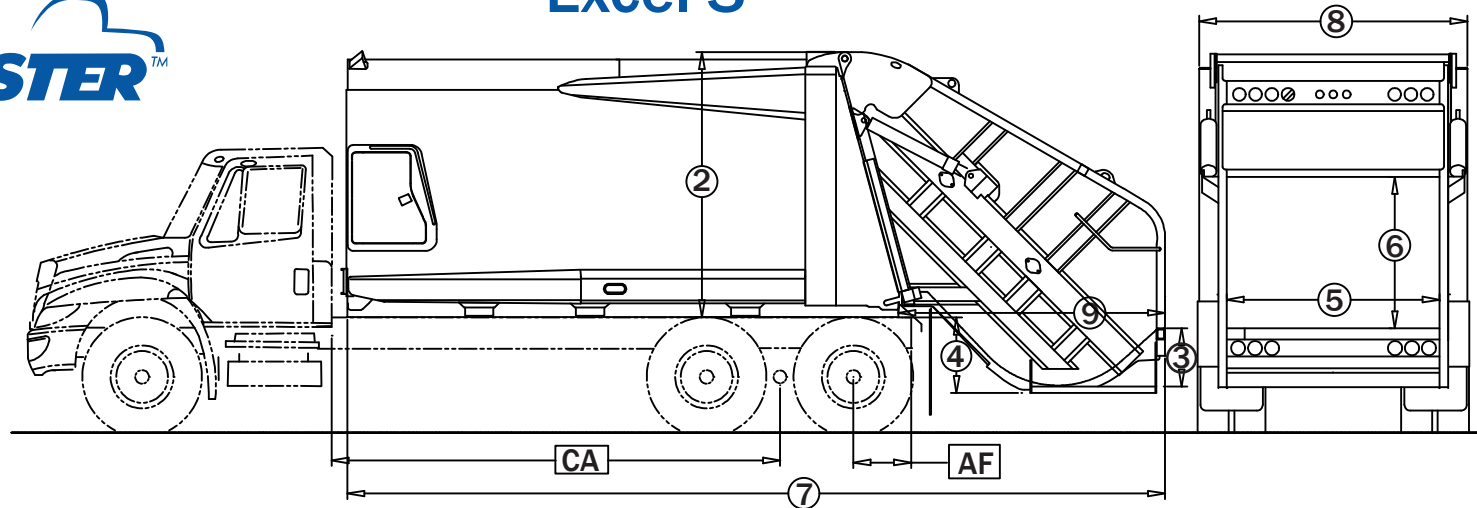
Bodies available in sizes 20,25,27,31,33 made with 8 gauge body sides and roof our bodies are built to last.

Body side access door and ladder standard for ease of access to the hydraulics at the front of the body. Optional dual clean out doors available (not pictured).

Chip guard above tires and undercoating under body is standard for rust prevention in high risk areas.



# Excel-S



## Dimensional Specifications

## Standard Material Specifications

1	Available Body Volumes	S 20 yd	S 25 yd	S 27 yd	S 31 yd	S 33 yd
2	Height Above Chassis Frame	93 1/2"	93 1/2"	93 1/2"	93 1/2"	93 1/2"
3	Depth of Hopper	20 1/4"	20 1/4"	20 1/4"	20 1/4"	20 1/4"
4	Hopper Below Chassis Frame	24 1/4"	24 1/4"	24 1/4"	24 1/4"	24 1/4"
5	Hopper Inside Width	75"	75"	75"	75"	75"
6	Hopper Opening Height	60"	60"	60"	60"	60"
7	Overall Length	262"	288"	301"	328"	340"
8	Overall Width	95 3/4"	95 3/4"	95 3/4"	95 3/4"	95 3/4"
9	Rear of Body to Rear of Tailgate	94"	94"	94"	94"	94"
10	Approximate Body Weight (lbs.)	15,100	16,000	16,400	17,200	17,500
11	Load Sill Below Chassis Frame	4"	4"	4"	4"	4"
12	Hopper Capacity	3.7 yd	3.7 yd	3.7 yd	3.7 yd	3.7 yd
13	Height Above Frame (With Gate Raised)	184	184	184	184	184

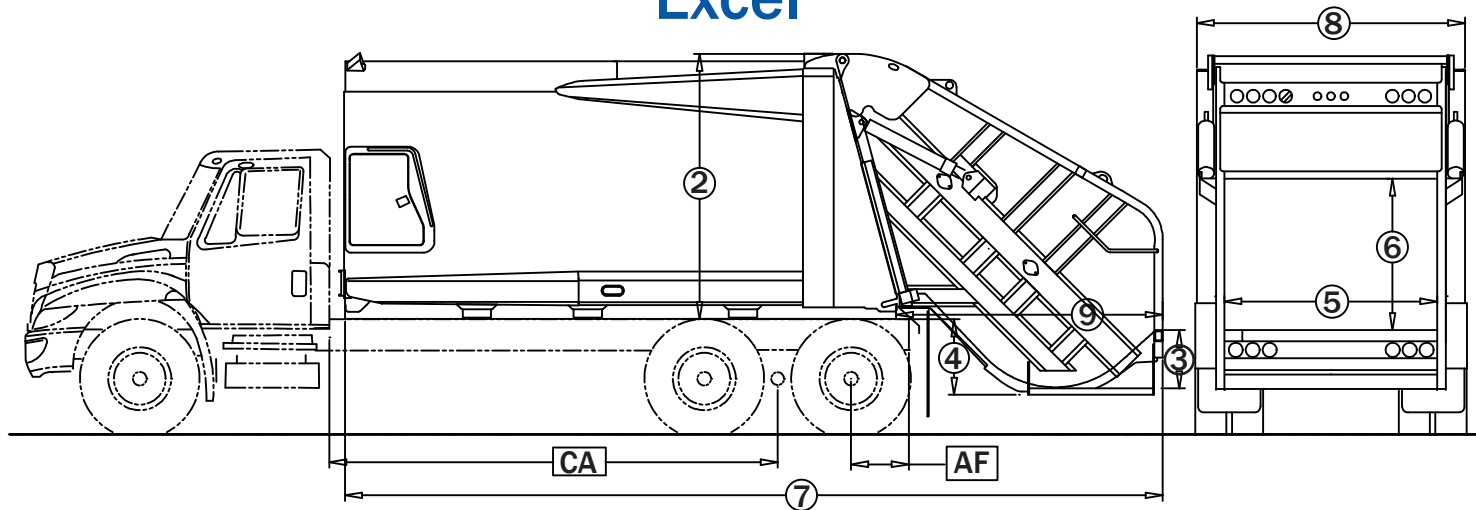
Body Sides	8 gauge grade 80
Body Floor	3/16"
Body Roof	8 gauge grade 80
Floor Longitudinals	3" x 8" x 1/4" boxed channel
Ejector Track channel	1/4" elevated channel
Lower Tailgate Sides	3/16" T-1
Upper Tailgate Sides	3/16" in sweep zone
	10 gauge above
Hopper Floor	1/4" T-1
Separator Panel	3/16" T-1 abrasion resistant
Ejector Face Panel	3/16" Grade 50
Ejector Shoes	Nylatron GSM
Sweep Face Panel	1/4" T-1 alloy
Slide Face Panel	3/16" Grade 80
Slide Blade Shoes	Nylatron NSM and UHMW

## Chassis Recommendations

Body Size	Min. GVWR	Min. Front AWR	Min. Rear AWR	CT	Min. AF
S 20 yd	46,000	12,000	34,000	132"	26"
S 25 yd	52,000	12,000	40,000	158"	26"
S 27 yd	54,000	12,000	42,000	170"	26"
S 31 yd	60,000	16,000	44,000	192"	26"
S 33 yd	62,000	18,000	44,000	204"	26"

Loadmaster's dedication to customer service and satisfaction means we will modify and customize options and features to meet the unique demands of any customer's route. To learn more about what Loadmaster can do for you, give your local dealership a call.

# Excel



## Dimensional Specifications

## Standard Material Specifications

Available Body Volumes	20 yd	25 yd	31 yd
Height Above Chassis Frame	93 1/2"	93 1/2"	93 1/2"
Depth of Hopper	20 1/4"	20 1/4"	20 1/4"
Hopper Below Chassis Frame	24 1/4"	24 1/4"	24 1/4"
Hopper Inside Width	75"	75"	75"
Hopper Opening Height	60"	60"	60"
Overall Length	274"	304"	351"
Overall Width	95 3/4"	95 3/4"	95 3/4"
Rear of Body to Rear of Tailgate	94"	94"	94"
Approximate Body Weight (lbs.)	15,100	16,000	17,200
Load Sill Below Chassis Frame	4"	4"	4"
Hopper Capacity	3.7 yd	3.7 yd	3.7 yd
Height Above Frame (With Gate Raised)	184	184	184

Body Sides	8 gauge grade 80
Body Floor	7 gauge
Body Roof	8 gauge grade 80
Floor Longitudinals	3" x 8" x 1/4" boxed channel
Ejector Track channel	1/4" elevated channel
Lower Tailgate Sides	3/16" T-1
Upper Tailgate Sides	3/16" in sweep zone 10 gauge above
Hopper Floor	1/4" T-1
Separator Panel	3/16" T-1 abrasion resistant
Ejector Face Panel	10ga high tensile
Ejector Shoes	UHMW main shoes Nylatron GSM
Sweep Face Panel	1/4" T-1 alloy
Slide Face Panel	7 gauge Grade 80
Slide Blade Shoes	Nylatron NSM & UHMW

## Chassis Recommendations

	Min. GVWR	Min. Front AWR	Min. Rear AWR	CT	Min. AF
	46,000	12,000	34,000	140"	26"
	52,000	12,000	40,000	174"	26"
	60,000	16,000	44,000	208"	26"

Loadmaster's dedication to customer service and satisfaction means we will modify and customize options and features to meet the unique demands of any customer's route. To learn more about what Loadmaster can do for you, give your local dealership a call.



100 9th Ave.  
P.O. Box 186  
Norway, MI 49870  
Proudly made in Norway, Michigan



Loadmaster reserves the right to change specifications without notice and without obligation to install them on units sold. Information published is informational only and shall not be construed to warrant suitability of the unit for any particular purpose as performance may vary with the conditions encountered. Illustrations shown may include optional equipment and accessories, and may not include all standard equipment.

906.563.9226

[www.loadmaster.org](http://www.loadmaster.org)