



SPREADERS & DE-ICING SPRAYERS



HIGH-QUALITY ROAD MAINTENANCE EQUIPMENT

MADE IN FINLAND & USA

TABLE OF CONTENTS

ICESTRIKER™ SPREADERS	3
IceStriker™ 2000-8000 AM/CM combi spreaders	4
IceStriker™ 1200-1500 AM combi spreaders	6
IceStriker™ 800 spreaders	8
IceStriker™ 1000-3300 SSA/SSC spreaders.....	10
IceStriker™ 500 stainless steel spreader	12
IceStriker™ 45-100 tailgate spreaders	14
IceStriker™ 800-1900 TR combi spreaders	16
IceStriker™ 80-180 DSB drop spreaders	18
SPRAYSTRIKER™ DE-ICING SPRAYERS	19
SprayStriker™ 500-3250 HFE-series sprayers.....	20
SprayStriker™ 135-400 sprayers	22
SprayStriker™ 65 TR-90 UTV sprayers	24
BrineMixx™ brine blender	25
STRIKESMART™ CONTROL SYSTEM & HTRACK™	27
StrikeSmart™ control system	28
HTrack™ online tracking software.....	29
StrikeSmart™ Plus and TempStriker™ sensor.....	31
TECHNICAL SPECIFICATIONS.....	32
IceStriker™ specifications.....	33
SprayStriker™ specifications.....	38
BrineMixx™ specifications	39

ICESTRIKER™ SPREADERS



“You can reduce salt usage up to 30% with the optional liquid pre-wet system, and by 75% when using salt brine solution as a de-icing method. These are direct savings for you and the environment!”

ICESTRIKER™ 2000-8000 AM/CM COMBI SPREADER

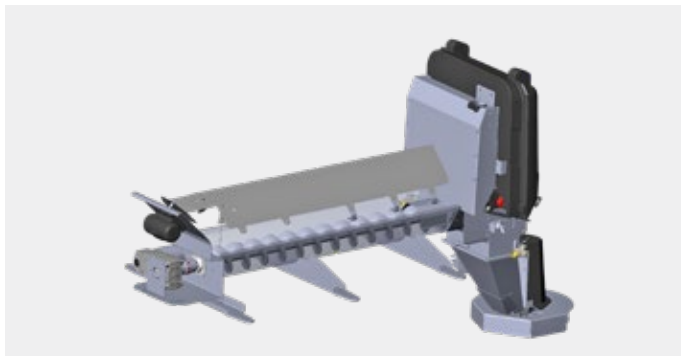


12/24 V ELECTRIC MODULAR COMBI SPREADERS



The IceStriker™ 2000-8000 AM/CM is a fully-electric poly hopper spreader designed with a material capacity of 2.0-8.0 cu yd to make your job even more efficient and profitable.

The lightweight modular hopper made of polyethylene and mounted parts in stainless steel (bolts, bearings, etc.) provide you with long-lasting protection against corrosion and wear. The IceStriker™ spreader and controller system help you save money and reduce the impact on the environment while achieving the same, or better, de-icing results as before.



Auger drive

“THE INDUSTRY GAME CHANGER”

Patent pending

STANDARD FEATURES

- ✓ **HTrack™ 2-way online tracking & control system** (see page 29)
- ✓ Controller with **automatic GPS speed control** adjusts the amount of spreading material (lbs/1000 sq ft) according to your vehicle speed (see page 28)
- ✓ 12 volt dual motors mounted inside a sealed weather-resistant enclosure
- ✓ Automatic vibrator prevents material from clogging
- ✓ **Feed mechanism:** 6" Stainless steel auger with variable pitch or 12" pintle chain conveyer
- ✓ Poly chain pan insert (pintle chain only)
- ✓ Inverted-V helps reduce heavy start-up loads on the feed mechanism
- ✓ Includes an accessory wire for optional work light and beacon light that can be activated from the standard controller

ICESTRIKER™ 2000-8000 AM/CM COMBI SPREADER



Optional spray bar



LED Stop/Tail/Brake lights and strobe lights



Manual hose reel

This product is manufactured under US and foreign patent pending.

OPTIONAL FEATURES

- + LED work light
- + Strobe lights
- + LED Stop/Tail/Brake lights
- + 24V motors and control system
- + Leg stand
- + Tarp kit
- + Adjustable spreading symmetry from inside the cab
- + Extended auger (+ 24") for optimization of vehicle axle loading
- + Extended chute for truck beds over 48" height
- + End of material alarm sensor on spinner

OPTIONAL LIQUID FUNCTIONS

- + Pre-wet salt liquid kit, nozzles and pump with built-in tanks in spreader construction
- + 6'7" dual spray bar with up to 16' spraying width
- + 40' hose reel for spraying hard-to-reach areas with salt solutions or other liquids



SPREAD



PRE-WET



**DUAL
SPRAY BAR**



**GPS SPEED
& HTRACK™**

**ALL IN ONE
SPREADER**

ICESTRIKER™ 1200-1500 AM COMBI SPREADER

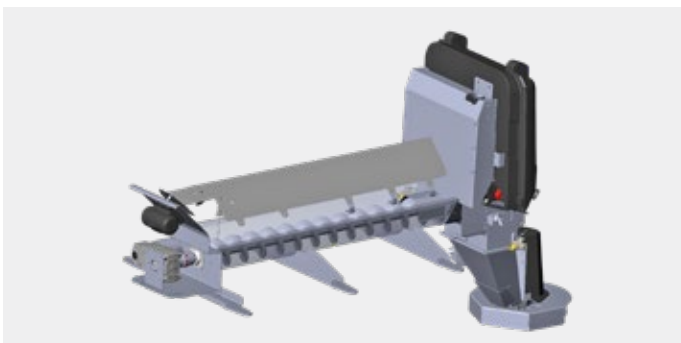


12/24 V ELECTRIC MODULAR POLY HOPPER COMBI SPREADER



The IceStriker™ 1200-1500 AM is a fully-electric poly hopper spreader designed with a material capacity of 1.2-1.6 cu yd to make your job even more efficient and profitable.

The lightweight modular hopper body made of polyethylene and mounted parts in stainless steel (bolts, bearings, etc.) provide you with long-lasting protection against corrosion and wear. The IceStriker™ spreader and StrikeSmart™ control system help you save money and reduce the impact on the environment while achieving the same, or better, de-icing results as before.

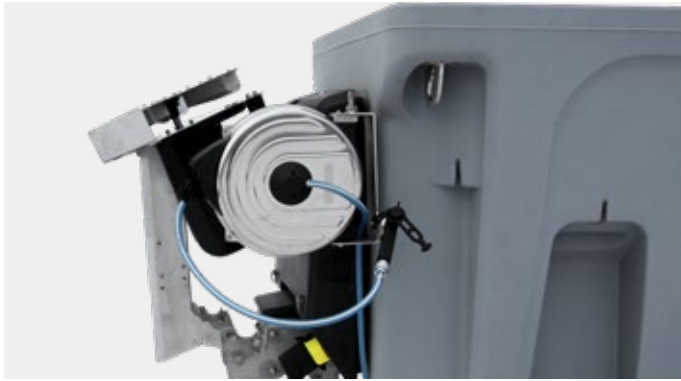


Auger drive

STANDARD FEATURES

- ✓ **HTrack™ 2-way online tracking & control system** (see page 29)
- ✓ Controller with **automatic GPS speed control** adjusts the amount of spreading material (lbs/1000 sq ft) according to your vehicle speed (see page 28)
- ✓ 12 volt dual motors mounted inside a sealed weather-resistant enclosure
- ✓ Automatic vibrator prevents material from clogging
- ✓ **Feed mechanism: 4.5" stainless steel auger with variable pitch**
- ✓ Inverted-V helps reduce heavy start-up loads on the feed mechanism
- ✓ Includes an accessory wire for optional work light and beacon light that can be activated from the standard controller
- ✓ Flip-up stainless steel chute

ICESTRIKER™ 1200-1500 AM COMBI SPREADER



Flip up chute



LED work light



1200 AM with spray bar and manual hose reel

This product is manufactured under US and foreign patent pending.

OPTIONAL FEATURES

- + LED work light
- + Beacon-Strobe lights
- + LED Stop/Tail/Brake lights
- + 24V motors and control system
- + Leg stand
- + Tarp kit
- + Adjustable spreading symmetry from inside the cab
- + Extended auger (+ 24") for optimization of vehicle axle loading
- + Extended chute for truck beds over 48" height
- + End of material alarm sensor on spinner

OPTIONAL LIQUID FUNCTIONS

- + Pre-wet salt liquid kit, nozzles and pump with built-in tanks in spreader construction
- + 6"7" dual spray bar with up to 16' spraying width
- + 40' hose reel for spraying hard-to-reach areas with salt solutions or other liquids



SPREAD



PRE-WET



**DUAL
SPRAY BAR**



**GPS SPEED
& HTRACK™**

**ALL IN ONE
SPREADER**

ICESTRIKER™ 800 SPREADER



12V ELECTRIC SAND AND SALT SPREADER FOR PICKUPS

 www.hilltip.com

Our IceStriker™ 800 poly electric spreader is built to meet the requirements of the 1/2 ton pickup truck segment.

Lightweight hopper body made of polyethylene and mounted parts in stainless steel (bolts, bearings, etc) provide you long lasting protection against corrosion and rust. The IceStriker™ spreader and the StrikeSmart™ control system helps you save money and reduces the impact on the environment.



SPREAD



**GPS SPEED
& HTRACK™**

STANDARD FEATURES

- ✓ **HTrack™ 2-way online tracking & control system** (see page 29)
- ✓ Controller with **automatic GPS speed control** adjusts the amount of spreading material (lbs/1000 sq ft) according to your vehicle speed (see page 28)
- ✓ A 12-volt motor is mounted inside a sealed weather-resistant enclosure
- ✓ Automatic vibrator prevents bridging and de-icing material from clogging by shaking the inverted Vee
- ✓ **Feed mechanism:** 2.5" stainless steel auger
- ✓ Inverted-Vee helps reduce heavy start-up loads on the auger (all in stainless steel)
- ✓ Hopper body includes molded alternate license plate area
- ✓ Flip-up stainless steel chute
- ✓ Includes an accessory wire for optional work light and beacon light that can be activated from the standard controller

ICESTRIKER™ 800 SPREADER

OPTIONAL FEATURES

- + LED Stop/Tail/Brake lights
- + Beacon warning light
- + LED-work light
- + Leg stand
- + End of material alarm sensor on spinner
- + Fixation kit to avoid sliding
- + Telescopic chute for truck beds over 110 cm
- + Two-piece tarp mechanism prevents spillage off into truck bed when filling the spreader



Stainless steel flip-up chute designed for spreading salt with high humidity



Two-piece tarp mechanism



Beacon light (orange) & LED work light (white)

ICESTRIKER™ 1000-3300 SSA/SSC STAINLESS STEEL SPREADER



1.0-3.3 CU YD STAINLESS STEEL SPREADER FOR 3/4 TON TRUCKS

IceStriker™ 2650 SSA spreader



The IceStriker™ 1000-3300 SSA/SSC series of 12/24V stainless steel spreaders are available in 1.0, 1.4, 2.0, 2.65 and 3.3 cu yd capacities. The SSA model has a 6" stainless steel auger and the SSC model is equipped with a 12" pintle chain system.

All SSA/SSC spreaders come standard with Hilltip's StrikeSmart™ controllers featuring ground speed control and our patented HTrack™ 2-way online tracking/control system. A variety of lighting options are available as well as in-cabin asymmetry adjustment of the chute.

The durable hopper is made of high-quality 12-gauge AISI304. The hopper body is entirely acid-treated by submersion in an acid bath for cleaner welds and surfaces for guaranteed long-lasting corrosion protection.

The hopper surface is easy to clean and maintain, and it provides a smooth material flow. The spreader is designed for spreading bulk/bag sand, gravel, salt, sand-salt mixes, and fertilizers.



IceStriker™ 3300 SSA spreader

ICESTRIKER™ 1000-3300 SSA/SSC STAINLESS STEEL SPREADER



LED Stop/ Tail / Brake lights and strobe lights



LED work light



Vibrator



Flip-up stainless steel chute

STANDARD FEATURES

- ✓ **HTrack™ 2-way online tracking & control system** (see page 29)
- ✓ Controller with **automatic GPS speed control** adjusts the amount of spreading material (lbs/1000 sq ft) according to your vehicle speed (see page 28)
- ✓ A 12 volt motor is mounted inside a sealed weather-resistant enclosure and requires no pulleys, sprockets, belts or chains
- ✓ Automatic vibrator prevents bridging and de-icing material from clogging by shaking the inverted Vee
- ✓ **Feed mechanism:** 6" stainless steel auger or 12" pintle chain
- ✓ Stainless steel bottom chain pan (pintle chain only)
- ✓ Inverted-Vee helps reduce heavy start-up loads on the auger (all in stainless steel)
- ✓ Flip-up stainless steel chute

OPTIONAL FEATURES

- + LED Stop/ Tail / Brake lights
- + Strobe lights
- + LED Work lights (white)
- + 24V motors and control system
- + Spreading symmetry adjustment, cabin control
- + Chute extension for truck bed over 43"
- + End of material alarm sensor on spinner
- + Tarp kit
- + Heavy duty strap kit (4 pc)

ICESTRIKER™ 500 STAINLESS STEEL SPREADER



**0.5 CU YD STAINLESS STEEL
SPREADER FOR PICKUPS, UTVS ETC.**



The 0.5 cu yd spreader is built to meet the requirements of both the UTV and 1/2-ton pickup truck segment. Thanks to the convenient size of the spreader, it fits easily in most kinds of small machines like utility vehicles, tool carriers, and mini-loaders. This device is perfect for spreading in parking lots, courtyards, walkways, and pedestrian paths.

The high quality stainless steel hopper body guarantees a long-lasting corrosion-free use. The hopper surface is easy to clean and maintain, and it provides a smooth material flow. The spreader is designed for spreading bulk/bag sand, gravel, salt, sand-salt mixes, and fertilizers. Can optionally be equipped with pre-wet kit.



IceStriker™ 500 on UTV

ICESTRIKER™ 500 STAINLESS STEEL SPREADER



Spreading width up to 30 ft



Flip-up chute



Tarp cover (optional) and top screen



IceStriker™ 500 with pre-wet salt liquid kit, nozzles, pump with an external 26 gallon liquid tank

STANDARD FEATURES

- ✓ **HTrack™ 2-way online tracking & control system** (see page 29)
- ✓ Controller with **automatic GPS speed control** adjusts the amount of spreading material (lbs/1000 sq ft) according to your vehicle speed (see page 28)
- ✓ A 12-volt motor is mounted inside a sealed weather-resistant enclosure and requires no pulleys, sprockets, belts or chains
- ✓ Automatic vibrator prevents bridging and de-icing material from clogging by shaking the inverted Vee
- ✓ The 2.5" stainless steel auger gives you an even flow of material to the spinner
- ✓ Inverted-Vee helps reduce heavy start-up loads on the auger. All in stainless steel.
- ✓ Top screen prevents rocks and big material chunks from getting into the hopper
- ✓ Flip-up stainless steel chute

OPTIONAL FEATURES

- + LED Stop/ Tail / Brake lights
- + Beacon warning light
- + LED work light
- + Pre-wet salt liquid kit: nozzles, pump, tank
- + Leg stand
- + Two-piece tarp mechanism prevents spillage off into truck bed when filling the spreader
- + End of material alarm sensor on spinner
- + 6'5" spray bar
- + 40' hose reel for spraying hard-to-reach areas with salt solutions or other liquids

ICESTRIKER™ 45-100 TAILGATE SPREADER



**4.5- 10.0 CU FT 12V ELECTRIC SPREADER
FOR PICKUPS, TRACTORS, LOADERS ETC.**

 www.hilltip.com

The Hilltip IceStriker™ 45-100 is a 12V electric salt and sand spreader designed for installation on pickup tailgates, vans, utility vehicles, tractors, loaders and forklifts. Polymer hopper and mounted parts in stainless steel (bolts, bearings, etc.) make it the most cost-effective spreader on the market.



**“THE WORLD’S FIRST SMARTPHONE
CONTROLLED SPREADER WITH FLEXIBLE
MOUNTING TO COMPACT TRACTOR,
PICKUP OR MUNICIPAL VEHICLES!”**



IceStriker™ 75 tailgate spreader

The spreader is operated wirelessly (Bluetooth) through the next generation control system: **Hilltip StrikeSmart™ App (see page 28)**. Android smart phone is included.

ICESTRIKER™ 45-100 TAILGATE SPREADER



Pickup Tailgate mount



IceStriker™ 10 cu ft Tailgate



LED Stop/Tail/Brake lights and white LED work light



Smartphone controller holder

STANDARD FEATURES

- ✓ **HTrack™ 2-way online tracking & control system** (see page 29)
- ✓ **Automatic GPS speed control** adjusts the amount of spreading material (lbs/1000 sq ft) according to your vehicle speed
- ✓ The spreader is operated wirelessly (Bluetooth) through the next generation control system: **Hilltip StrikeSmart™ App** (smartphone included)
- ✓ Independently controlled dual motors for the auger and spinner
- ✓ **Feed mechanism:** 2.5" stainless steel auger
- ✓ Storage transport wheels
- ✓ Mounting solutions for a variety of vehicles and machines

OPTIONAL FEATURES

- + Vibrator (for wet salt, gravel, salt and sand mix)
- + LED Stop/Tail/Brake lights
- + LED work light
- + Salt Stop kit for dry/ fine salt
- + Smartphone controller holder
- + Window/flat surface mount adapter
- + **Hardwired StrikeSmart™ CAN-BUS Control** with automatic GPS speed control

MOUNT TYPES

- + Tow hitch mount, bolted or J-type
- + EU tow/tailgate hitch
- + Swing away mount, bolted
- + 3-point hitch, Cat I/II
- + Wheelloader/Fork lift 1" Pin hitch, adjustable (height adjustment)
- + Various wheel loader, tool carrier and forklifts mounts

ICESTRIKER™ 800-1900 TR COMBI SPREADER

The double-walled hopper construction has integrated tanks with a capacity of 87-120 gal to transform your spreader into a liquid sprayer with pre-wet and spray bar options.

0.8- 1.9 CU YD COMBI SPREADER FOR TRACTORS AND LOADERS

The Hilltip IceStriker™ 800-1900 TR is a 0.8-1.9 cu yd salt, sand, and fertilizer spreader with a polymer hopper and mounted parts in stainless steel (bolts, bearings, etc.) that gives you effective protection against corrosion and wear. This unique all-in-one spreader also includes integrated tanks for the optional liquid systems.



IceStriker™ 800 TR

 www.hilltip.com

STANDARD FEATURES

- ✓ **HTrack™ 2-way online tracking & control system** (see page 29)
- ✓ **Automatic GPS-speed control** adjusts the amount of spreading material (lbs/1000 sq ft) according to your vehicle speed
- ✓ 12-volt motor mounted inside a sealed weather-resistant enclosure
- ✓ Automatic vibrator prevents material from clogging
- ✓ **Feed mechanism:** 2.5" stainless steel auger (800 TR) and 4.5" stainless steel auger (1200-1900 TR)
- ✓ Inverted-V helps reduce heavy start-up loads on the feed mechanism
- ✓ Stainless steel chute
- ✓ Includes an accessory wire for optional work light, beacon light that can be activated from the standard controller
- ✓ Support legs

ICESTRIKER™ 800-1900 TR COMBI SPREADER

OPTIONAL FEATURES FOR 800 TR

- + LED work light (white)
- + LED Stop/Tail/Brake lights
- + Beacon warning light
- + Different mounting solutions
- + End of material alarm sensor on spinner
- + Two-piece tarp mechanism prevents spillage off into truck bed when filling the spreader

OPTIONAL FEATURES FOR 1200-1900 TR

- + LED work lights (2 pcs), strobe lights (2 pcs) and LED Stop/Tail/Brake lights (2 pcs) kit
- + Different mounting solutions
- + End of material alarm sensor on spinner
- + Two-piece tarp mechanism prevents spillage off into truck bed when filling the spreader

OPTIONAL LIQUID FUNCTIONS

- + Pre-wet Salt liquid kit complete with nozzles and pump for use with tanks built into the spreader
- + Spray bar 6'7" with up to 16' spraying width
- + 40' hose reel for spraying hard-to-reach areas with salt solutions or other liquids



Optional LED work lights, strobe lights and LED stop/tail/brake light kit for 1200-1900 TR



Optional spray bar for 800 TR



Support legs and optional spray bar for 1200-1900 TR



IceStriker™ 1900 TR

ICESTRIKER™ 80-180 DSB DROP SPREADER



ICESTRIKER™ DROP SPREADER BUCKET FOR TRACTORS & LOADERS

The Hilltip IceStriker™ DSB is an 8-18 cu ft self-loading drop spreader bucket designed for compact tractors and loaders. These hydraulic or 12V electric spreaders can be mounted on the front or back of vehicles and are perfect for parking lots, courtyards, walkways and pedestrian paths.

Control options for IceStriker™ DSB spreaders include our StrikeSmart™ Smartphone App via a Bluetooth link with the spreader or our hardwired StrikeSmart™ controller. GPS speed control and HTrack™ 2-way online tracking/control system as an optional feature.



Icestriker™ 90 DSB


STANDARD FEATURES

- ✓ Hydraulic, conventional control
- ✓ Top screen prevents rocks and big material chunks from getting into the hopper.

OPTIONAL FEATURES

- + 12 V electric
- + Advanced control options:
 - **Bluetooth StrikeSmart™ SmartPhone Control** with automatic GPS speed control & HTrack™ 2-way online tracking/control system.
 - **Hardwired StrikeSmart™ CAN-BUS Control** with automatic GPS speed control & HTrack™ 2-way online tracking/control system.
- + Smartphone controller holder
- + Self-loading design
- + LED Rear light kit
- + Various quick hook attachments for front loaders

SPRAYSTRIKER™ DE-ICING SPRAYERS



“When using salt brine solution as a de-icing method you can save up to 75% on your salt usage on each route and reduce the impact on the environment!”

SPRAYSTRIKER™ 500-3250 HI-FLOW DE-ICING SPRAYER



500-3250 GAL HI-FLOW ELECTRIC DE-ICING SPRAYERS FOR TRUCKS

The Hilltip **SprayStriker™ HFE-series** sprayers are the largest sprayers in the SprayStriker™ product family. These truck bed mounted de-icing sprayers have liquid tank capacities of 500-3250 gallons. Our fully-electric 12V/24V de-icing sprayers help contractors reduce salt usage while increasing their level of service. The sprayer is designed for maximum liquid tank capacity on different sizes of chassis and truck bed lengths, with emphasis on Municipality equipment.

The durable and light poly tanks are supported by a galvanized steel frame construction, while the dual Hi-Flow pumps, motors, valves, and CPU units are protected inside an easy-to-reach powder-coated stainless-steel cabinet.

SprayStriker™ HFE-series sprayers come standard with a StrikeSmart™ controller featuring GPS speed control and HTrack 2-way online tracking and control system.

STANDARD FEATURES

- ✓ **HTrack™ 2-way online tracking & control system** (see page 29)
- ✓ The **StrikeSmart™ controller** lets you operate the sprayer and its functions from inside the cabin (see page 28)
- ✓ 12V dual Hi-Flow pumps with spray bar output of 20 gal/min
- ✓ 2-lane, 90" wide spray bar with double spray and side nozzles
- ✓ Self-loading and pump out feature with 2" camlock connection
- ✓ IP 67 rated strobe lights & LED work light

This product is manufactured under US and foreign patent pending.

SPRAYSTRIKER™ 500-3250 HI-FLOW DE-ICING SPRAYER

OPTIONAL FEATURES

- + 65' stainless steel hose reel for de-icing hard to reach areas
- + 3-lane, 100" wide spray bar with double spray and side nozzles
- + 24V motors and battery power kit (2 x 115Ah)
- + Storage leg stand
- + Self loading leg stand for dump bodies



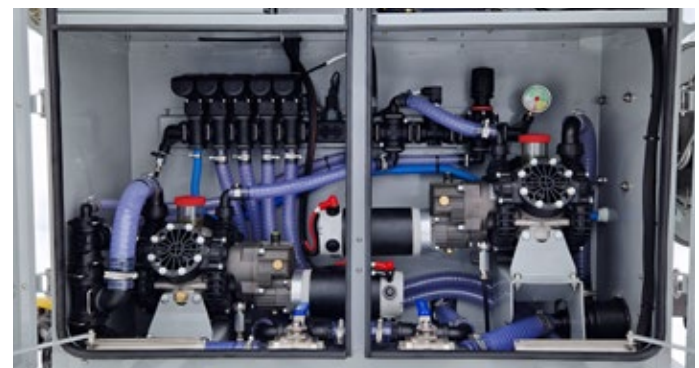
65' hose reel (optional)



Strobe lights



24V Battery (2 x 115Ah) power kit (optional)



Self-priming hi-pressure & flow Diaphragm pumps, motors and valves in closed cabinet



Spray bar with double spray, side nozzles and LED work light (white)

SPRAYSTRIKER™ 135-400 DE-ICING SPRAYERS



135-400 GAL DE-ICING SPRAYER FOR PICKUPS, LIGHT TRUCKS & TRACTORS

 www.hilltip.com

The Hilltip SprayStriker™ 135-400 sprayer is available in different capacities to match each application, and to fit a wide range of vehicles. The SprayStriker™ can be used to pre-treat for ice prevention, post-treat for brine application, and can also be used in the summer for agricultural purposes.

The de-icing sprayer is designed for **maximum modular liquid tank capacity, and use on a variety of trucks, utility vehicles, and machines worldwide.**

The durable and light poly tanks are supported by a powder-coated stainless-steel frame construction. The liquid pumps and CPU-unit is protected inside an easy-to-reach powder-coated stainless-steel housing. Our **fully 12V electric**-powered units help contractors reduce salt usage while increasing their level of service.



SprayStriker™ 135 on Kubota utility vehicle



SprayStriker™ 200 with the optional 3-point hitch mount frame

SPRAYSTRIKER™ 135-400 DE-ICING SPRAYERS

STANDARD FEATURES

- ✓ **HTrack™ 2-way online tracking & control system** (see page 29)
- ✓ **GPS speed control** adjusts the liquid flow (gal/1000 sq ft) according to your vehicle speed (see page 28)
- ✓ The **StrikeSmart™ controller** allows you to operate the sprayer and its functions from inside the cabin
- ✓ 12 V Twin pumps
- ✓ 20 gal/lane mile at max speed 20 mph
- ✓ 2" camlock inlet for filling sprayer
- ✓ 6'7" spray bar with double spray nozzles (7 + 7)
- ✓ Nozzles on the end of the boom for extended spray width

OPTIONAL FEATURES

- + 40' hose reel for spraying sidewalks and other hard-to-reach areas
- + Beacon warning light
- + Adjustable leg stands
- + Electric solenoid on x4 nozzles (controlled from cab), working width 6'7" → 16'
- + Nozzles with triple stream spray-pattern
- + Disinfection nozzle kit, Spray bar & Spray wand
- + 3-point hitch mount frame for SprayStriker™ 135 and 200



Optional manual hose reel



Optional legstand and sliding-tracks on truck bed for easy installation and removal of sprayer.



Double spray nozzles for de-icing even at higher speeds.



SprayStriker™ 135 with LED work light and beacon light

SPRAYSTRIKER™ 65 TR & 90 UTV - SERIES SPRAYERS

65-90 GAL DE-ICING SPRAYER

The Hilltip **SprayStriker™ 65 TR & 90 UTV** de-icing sprayers feature a high-performance 7GPM, 12V pump specially designed for de-icing liquids. The sprayer is designed for compact tractors and UTVs for use on pathways and other narrow areas. It can also be installed on tailgates and in receiver hitches with a wider spray bar. The tank is polyethylene and the body is made of zinc based mild steel with a powder coated finish.

The sprayer unit is **delivered and controlled with the StrikeSmart™ Smartphone App** (Phone included). The SprayStriker™ can be equipped with a 40' hose reel, 3 different widths of spray bars, as well as individually in-cabin controlled side-nozzles for increased spray width.

The sprayer unit can also be equipped with disinfection nozzles on both handheld and spray bar nozzles to fight germs, bacteria and viruses.



SprayStriker™ 65 TR

STANDARD FEATURES

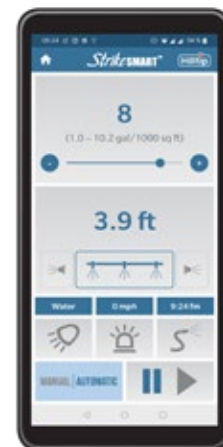
- ✓ **HTrack™ 2-way online tracking & control system** (see page 29)
- ✓ **GPS speed control** adjusts the liquid flow (gal/1000 sq ft) according to your vehicle speed (see page 28)
- ✓ The spreader is controlled with **Hilltip StrikeSmart™ App**. Android smartphone is included
- ✓ 12 V pump
- ✓ 2.6', 4' or 6.5' spray bar
- ✓ Nozzles on the end of the boom for extended spray width

OPTIONAL FEATURES

- + 40' hose reel for spraying sidewalks and other hard-to-reach areas
- + Beacon warning light
- + Directional in cabin control of side nozzles (both sides)
- + Smartphone controller holder

MOUNT TYPES

- + EU tow/tailgate hitch
- + Swing away mount, bolted
- + 3-point hitch, Cat I/II
- + Wheelloader/Fork lift 1" Pin hitch (height adjustment)
- + Various wheel loader, tool carrier and forklifts mounts



Hilltip StrikeSmart™ smartphone app.

BRINEMIXX™ BRINE SOLUTION BLENDER



BRINEMIXX™ 135-800 FOR ICESTRIKER™ & SPRAYSTRIKER™ LIQUID SYSTEM!

The Hilltip BrineMixx™ 135-800 external brine blender makes it easier to get the perfect water/salt mixture for your purpose. The blender includes a pump that transfers the prepared liquid into the tank of your brine spraying device at a rate of up to 80 GPM.

The blending tank and lid are made of durable polyethylene which gives you a rust and corrosion free lightweight product.

The BrineMixx™ is available in three different sizes: **135 gal, 370 gal, and 800 gal.**



Sharp edge to cut bags



Heavy duty filter and 3-way valve

STANDARD FEATURES

- ✓ Sharp edge to cut bags
- ✓ Liquid level indicator
- ✓ Heavy duty filter and 3-way valve

BRINEMIXX™ BRINE SOLUTION BLENDER

MATERIAL SOLUTIONS

NaCl (Sodium Chloride):

Solid rock salt made into brine is the basis of most de-icing materials.

Freezing Point -5.8° F at Concentration of 23.3 %

CaCl (Calcium Chloride):

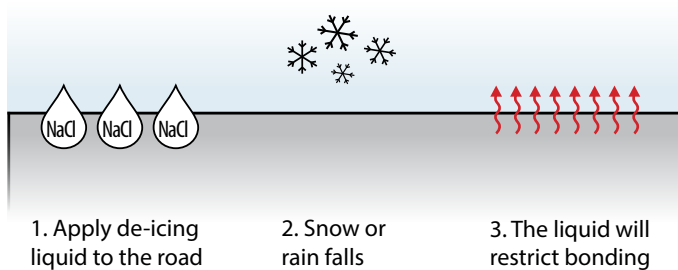
Natural liquid brine, most versatile deicer and commonly used to pre-wet.

Freezing Point -24.7° F at a Concentration of 29.8 %

“BY USING A LIQUID SYSTEM, YOU SAVE MONEY AND REDUCE YOUR ENVIRONMENTAL IMPACT WHILE ACHIEVING THE SAME DE-ICING RESULTS AS BEFORE”

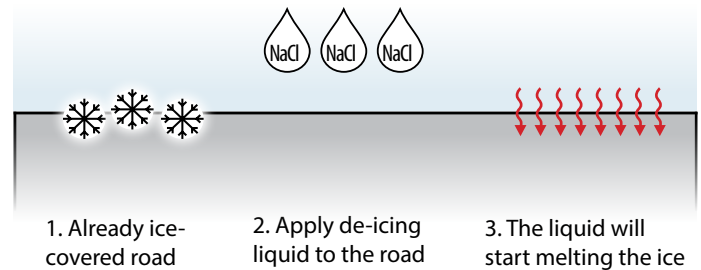
ANTI-ICING

By applying a liquid solution before the snow or rain falls, it will stay in the pores and cracks of the road and restrict the bonding of ice to the road surface. This allows snow and ice to be easily removed during plowing.



DE-ICING

When a liquid solution is applied to an already icy/snowy road it will immediately start breaking up the ice from the top down. By mixing the right solution for your current winter temperatures, you won't be wasting salt or money.



De-icing solutions other than NaCl (Sodium chloride) can also be used, please see local recommendations.

TYPE	SALT BRINE NACL	PRE-WETTED NACL	DRY SALT NACL	GRANULATE
Spread volume	25-65 gal/lane mile	30-85 oz/1000 sq ft	65-130 oz/1000 sq ft	490-820 oz/1000 sq ft
Average Spread volume	55 gal/lane mile	55 oz/1000 sq ft	100 oz/1000 sq ft	590 oz/1000 sq ft
Spreading length/width	3300 ft/ 7 ft	3300 ft/ 7 ft	3300 ft/ 7 ft	3300 ft/ 7 ft
Spreading area	21500 sq ft	21500 sq ft	21500 sq ft	21500 sq ft
Spreading volume per mile	18.5 gal Brine = 35 lb	75 lb	130 lb	795 lb

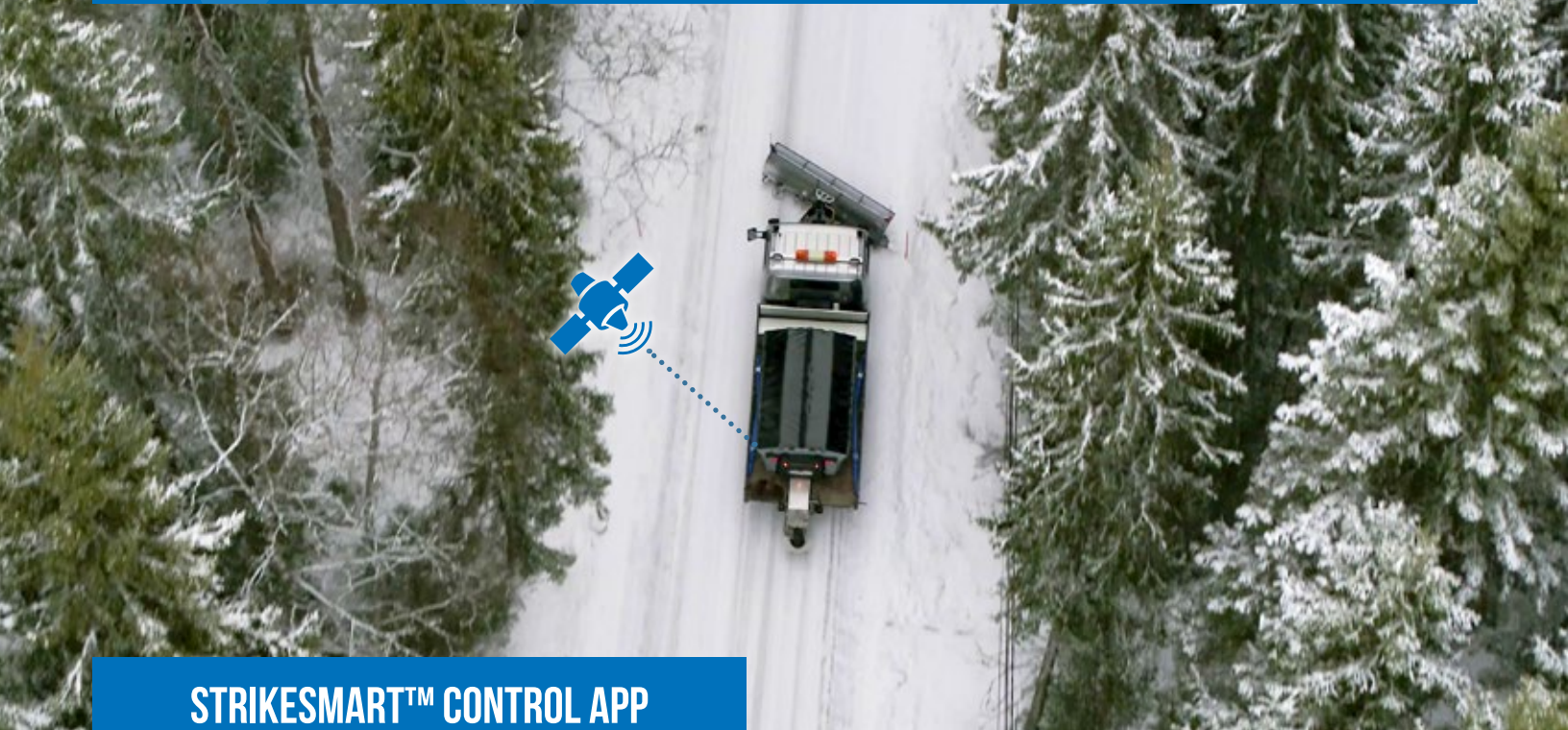
These material weights are only guidelines. We do not take any responsibility in any direct or indirect damages or warranty cases concerning the values above.

STRIKESMART™ CONTROL SYSTEM & HTRACK™



“Hilltip’s spreaders and sprayers keep track of your expenses and provide evidence for slip and fall injury claims with HTrack™ as a standard feature!”

STRIKESMART™ CONTROL SYSTEM



STRIKESMART™ CONTROL APP & CONTROLLER



STRIKESMART™ CONTROL APP

The StrikeSmart™ control app is a standard feature for the IceStriker™ 45-100 tailgate spreaders and SprayStriker™ 65 TR - 90 UTV de-icing sprayers.

The smartphone app lets you customize your spreading session based on current conditions. Automatic GPS ground speed control adjusts the amount of material/ liquid according to your vehicle speed, while manual mode lets you insert a fixed auger/pump speed. Additionally, the app collects and saves essential data allowing you to generate reports. This wireless control system makes it easy to turn on/off functions like the vibrator, beacons, and work lights from inside the cab.



STRIKESMART™ CONTROLLER

The StrikeSmart™ controller is a standard feature for IceStriker™ 500-8000 and SprayStriker™ 135-3250.

The full-color controller screen lets you customize your spreading session according to current conditions. Automatic GPS ground speed control adjusts the amount of material/liquid according to your vehicle speed, while manual mode lets you insert a fixed auger/pump speed. Additionally, the controller collects and saves essential data to integrated and USB memory allowing you to generate reports. The controller also makes it easy to turn on/off functions like the vibrator, beacons, and work lights from inside the cab.

HTRACK™ TRACKING SYSTEM

Date	2024-01-01 08:47:24
Vehicle	Transporter
Customer	ABC
Contract	Parking Area
Work site	ABC Parking
Spreading mode	Spreading dry
Spreading material	Salt
Amount	2.0 lbs/1000 sq ft
Spreading width	26 ft
Vehicle speed	12 mph

PROTECT YOUR BUSINESS FROM SLIP AND FALL LIABILITY

Detailed reports of ice control activities with HTrack™.

The Hilltip HTrack™ system is compatible with all models of IceStriker™ and SprayStriker™ machines. With the tracking software you can track and manage all of your spreading devices online on your computer, tablet or smart phone.

The HTrack™ system provides a **2-way online communication channel** as it informs the driver what sites to treat during operations. Application rates can be remotely set for each client's site according to weather conditions, enabling the driver to concentrate on completing the operation as quickly and safely as possible.



GPS satellite returns vehicle position & speed



HTrack™ transfers spreading data via mobile network

HTRACK™ TRACKING SYSTEMS

FEATURES

- ✓ Easy to use interface
- ✓ Track your devices in real-time or between specific time intervals:
 - Show route on map
 - Show speed, GPS location, material used, etc.
- ✓ Show one or multiple units
- ✓ The spreading/spraying width is visually represented on the map
- ✓ Download session reports and performance details
- ✓ You can preset desired application rate for all your spreaders for specific work sites
- ✓ HTrack™ precalculates your salt usage per work site
- ✓ HTrack™ automatically recognizes when the spreader reaches a preset work site
- ✓ You can change application rates on hundreds of spreaders in a few seconds
- ✓ All tracking data is collected under specific work sites for easy reporting



HTrack™ allows users to create work sites for their client's areas. They can see exactly the size of the area being treated and the amount of material needed.



Pop up on the controller screen when spreader reaches a preset work site.

WHY HILLTIP ICESTRIKER™ SPREADERS?

- ✓ The 2-way online capable tracking software allows communication between your smart phone/tablet/computer and your StrikeSmart™ controller.
- ✓ User friendly interface allows application rates to be remotely set and adjusted in real time for each customer site depending on weather conditions.
- ✓ HTrack™ assists in route optimizations and resource allocations for increased operational efficiency and profitability.
- ✓ Reports of spreading material used daily, monthly etc. by specific customers.
- ✓ Detailed documentation of ice control activities at individual customer locations that provides additional evidence if legal action should become necessary.

STRIKESMART™ PLUS & TEMPSTRIKER™

STRIKESMART™ PLUS

The **StrikeSmart™ PLUS** system is a next generation control system offered as an optional control feature to our current spreader controllers.

Hilltip's HTrack™ tracking and control system is the heart of our innovative system in our spreaders & sprayers, designed to provide you with **real-time information and control over your spreader fleet.**



8,7" touch screen and control panel

STANDARD FEATURES

✓ Real-time weather forecast

With HTrack™, you'll have access to up-to-the-minute weather forecasts tailored to your location. No more relying on outdated information. Stay ahead of weather changes and adapt your spreading strategy accordingly.

✓ Spreading rate guidance

Based on the gathered data, HTrack™ provides **real-time recommendations for your spreading rate directly to the spreader controller.** This ensures efficient material usage while maximizing the effectiveness of your winter maintenance efforts. It can also suggest if you should use granulate salt or sand, pre-wetted salt or brine liquid.

✓ Save spreading setting on a specific route

With our updated HTrack™ features, the operator can save a specific spreading setting on the route driven. This ensures the same spreading direction or spreading width is always the same for a specific location. These settings can be stored before or after the route has been treated.



With the data fed by HTrack™, StrikeSmart™ can automatically adjust the spreader's settings to match the weather & road conditions. This automation ensures consistency and reduces the risk of over or under spreading.

OPTIONAL FEATURES

+ Road condition monitoring with TEMPSTRIKER™

HTrack™, with our **TEMPSTRIKER™** sensor, continually monitors road conditions, assessing factors like **temperature, humidity, and surface conditions.** It's like having a digital road scout ensuring you always apply the right amount of material for the current situation.



By following the recommended spreading rates and adjusting them on the fly, you'll save on material costs while still maintaining optimal road conditions.

TECHNICAL SPECIFICATIONS



- **ICESTRIKER™**
- **SPRAYSTRIKER™**
- **BRINEMIXX™**

ICESTRIKER™ SPECIFICATIONS



ICESTRIKER™ 2000-8000 AM*/CM* SERIES SPREADER***

MODEL	2000 AM/CM	2800 AM/CM	3400 AM/CM	4200 AM/CM	6000 CM	8000 CM
Total length (including spinner)	9.8'	9.8'	9.8'	11.8'	13.5'	15'
Minimum truck bed length	7.7'	7.7'	7.7'	9.5'	11.2'	12.8'
Width, min. truck bed	45"	45"	45"	45"	45"	45"
Width, Maximum (with tarp mounted)	67"	67"	67"	67"	67"	67"
Total height of the hopper from the loading surface of the carrying vehicle	42"	47"	52"	52"	52"	52"
Capacity, struck	2.0 cu yd	2.8 cu yd	3.4 cu yd	4.2 cu yd	5.7 cu yd	7.5 cu yd
Capacity, rounded	2.3 cu yd	3.2 cu yd	3.8 cu yd	4.7 cu yd	6.5 cu yd	8.5 cu yd
Weight (empty)	890 lbs	970 lbs	1025 lbs	1210 lbs	1650 lbs	2094 lbs
Hopper construction, dual wall	Poly					
Spreading width, min -max	2'-40' (may vary depending on material)					
Spinner size	20"					
Auger diameter (stainless steel)	6"					
Chain conveyor	12"					
Material	Salt, Sand, Granulate/Mixed (max 5/16" Ø with auger)					
Vehicle min. Lb GVWR	8,500	13,000	15,000	15,000	15,000	15,000

*A = Auger, C = Chain, M = Modular

*** Patent pending

OPTIONAL LIQUID SYSTEM ***

MODEL	2000 AM/CM	2800 AM/CM	3400 AM/CM	4200 AM/CM	6000 CM	8000 CM
Pre-wet, Spray volume	0.8-3.2 gal/min					
Spray bar, Spray volume	20 gal/lane mile at 20 mph					
Pre-wet, Spraying width	3' - 26' (together with spreading material)					
Spray bar, Spraying width	7' - 16'					
Pre-wet, liquid tank capacity	220 gal	220 gal	220 gal	260 gal	315 gal	370 gal
Spray bar, liquid tank capacity	220-550* gal	220-550* gal	220-550* gal	260-660* gal	315-790* gal	370-1056* gal
Spraying material	Anti and de-icing liquids, water. **					

* With optional bladder tank inside for spray bar system

** Do not use flammable or petroleum liquids for the liquid system

*** Patent pending

Specifications and other details are subject to change without notice.

ICESTRIKER™ SPECIFICATIONS



ICESTRIKER™ 1200-1500 AM* SERIES SPREADER***

MODEL	1200 AM	1500 AMS	1500 AM
Total length (including spinner)	8.6'	8.6'	9.8'
Minimum truck bed length	6.2'	6.2'	7.5'
Width, min. truck bed	35"	35"	35"
Width, Maximum (with tarp mounted)	45"	45"	45"
Total height of the hopper from the loading surface of the carrying vehicle	39"	45"	39"
Capacity, struck	1.0 cu yd	1.4 cu yd	1.4 cu yd
Capacity, rounded	1.2 cu yd	1.5 cu yd	1.6 cu yd
Weight (empty)	495 lbs	540 lbs	594 lbs
Hopper construction, dual wall	Poly	Poly	Poly
Spreading width, min -max	2'-40' (may vary depending on material)		
Spinner size	15"	15"	15"
Auger diameter (stainless steel)	4.5"	4.5"	4.5"
Material	Salt, Sand, Granulate/Mixed (max 5/16" Ø with auger)		
Vehicle	1/2 & 3/4 ton trucks	3/4 & 1 ton trucks	3/4 & 1 ton trucks

* A = Auger, M = Modular

*** Patent pending

OPTIONAL LIQUID SYSTEM***

MODEL	1200 AM	1500 AMS	1500 AM
Pre-wet, Spray volume	0.8-3.2 gal/min	0.8-3.2 gal/min	0.8-3.2 gal/min
Spray bar, Spray volume	20 gal/lane mile at 10-20 mph		
Pre-wet, Spraying width	3' - 26' (together with spreading material)		
Spray bar, Spraying width	7' - 16'	7' - 16'	7' - 16'
Pre-wet, liquid tank capacity	120 gal	120 gal	140 gal
Spray bar, liquid tank capacity	120-320* gal	120-320* gal	140-400* gal
Spraying material	Anti and de-icing liquids, water. **		

* With optional bladder tank inside for spray bar system

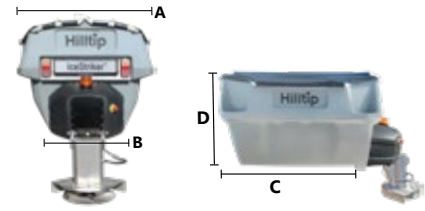
** Do not use flammable or petroleum liquids for the liquid system

*** Patent pending

Specifications and other details are subject to change without notice.

ICESTRIKER™ SPECIFICATIONS

ICESTRIKER™ 800 SPREADER



MODEL	800
Overall Width A	47"
Width B	35"
Minimum truck bed length C	4'
Height D	36"
Capacity, struck	0.7 cu yd
Capacity, rounded	0.8 cu yd
Weight (empty)	320 lbs
Hopper construction	Poly
Spreading width	3'-30' (may vary depending on material)
Spinner size	15"
Auger diameter	2.5"
Material	Salt, Sand, Granulate/Mixed (max 5/16" Ø)
Vehicle	1/2 ton pickup trucks

ICESTRIKER™ 1000-3300 SSA*/SSC* SPREADER



MODEL	1000 SSA/SSC	1400 SSA/SSC	2000 SSA/SSC	2650 SSA/SSC	3300 SSA/SSC
Total length (including spinner)	6.8'	6.8'	10'	10'	10'
Minimum truck bed length	4.5'	4.5'	8'	8'	8'
Hopper width, maximum	45"	45"	45"	45"	45"
Width, min. truck bed	35"	35"	35"	35"	35"
Total height of the hopper from the loading surface of the carrying vehicle	31"	37"	31"	37"	43"
Struck volume	1.0 cu yd	1.4 cu yd	1.85 cu yd	2.50 cu yd	3.20 cu yd
Rounded volume	1.05 cu yd	1.45 cu yd	2.05 cu yd	2.70 cu yd	3.35 cu yd
Weight (empty)	474 lbs	518 lbs	606 lbs	672 lbs	728 lbs
Hopper construction	Stainless steel				
Spreading width, min -max	2'-40' (may vary depending on material)				
Spinner size	15"				
Auger diameter (stainless steel)	6"				
Conveyor Chain, width	12"				
Material	Salt, Sand, Granulate/Mixed (max 5/16" Ø)				
Vehicle	min. ½ ton	min. ½ ton	min. ¾ ton	min. ¾ ton	min. ¾ ton

* SS = stainless steel, A = Auger, C = Chain

Specifications and other details are subject to change without notice.

ICESTRIKER™ SPECIFICATIONS



ICESTRIKER™ 500 STAINLESS STEEL SPREADER

MODEL	500
Total length	65"
Hopper length	45"
Total width	35"
Height	30"
Weight	265 lbs
Capacity, struck	0.45 cu yd
Capacity, rounded	0.50 cu yd
Hopper construction	Stainless steel
Spreading width	3'-30' (may vary depending on material)
Spinner diameter	15"
Auger diameter	2.5"
Material	Sand, salt, gravel, mixes (max 5/16" Ø)
Power source	Electric 12V DC

PRE-WET SYSTEM	
Spray volume	0.8-3.2 gal/min
Liquid tank capacity	26 gal
De-icing solutions	Anti and de-icing liquids, water**

** Do not use flammable or petroleum liquids for the liquid system



ICESTRIKER™ 45-100 SPREADER

MODEL	45	75	100
Total width	31"	31"	31"
Total depth	24"	24"	24"
Total height	32"	41"	51"
Capacity, struck	4.5 cu ft	7.5 cu ft	10.0 cu ft
Capacity, rounded	4.6 cu ft	7.6 cu ft	10.8 cu ft
Weight (empty)	128 lb	143 lbs	154 lbs
Hopper construction	Poly	Poly	Poly
Spreading width	3'-30' (may vary depending on material)		
Spinner size	13"	13"	13"
Auger diameter (stainless steel)	2.5"	2.5"	2.5"
Material	Salt, Sand, Granulate, Mixed (max 5/16" Ø)		
Vehicle	Utility vehicles, pick-ups, vans, tractors, loaders and forklifts		

Specifications and other details are subject to change without notice.

ICESTRIKER™ SPECIFICATIONS



ICESTRIKER™ 800-1900 TR SPREADER***

MODEL	800 TR	1200 TR	1500 TR	1900 TR
Overall width	59"	80"	80"	80"
Height	59"	66"	71"	75"
Depth	58"	49"	49"	49"
Capacity, struck	0.7 cu yd	1.0 cu yd	1.4 cu yd	1.7 cu yd
Capacity, rounded	0.8 cu yd	1.2 cu yd	1.5 cu yd	1.9 cu yd
Weight (empty)	705 lbs	1610 lbs	1665 lbs	1720 lbs
Hopper construction	Poly	Poly	Poly	Poly
Spreading width	3'-30' (may vary depending on material)		2'-40' (may vary depending on material)	
Spinner size	15"	20"	20"	20"
Auger diameter	2.5"	4.5"	4.5"	4.5"
Vehicle	Tractors & Loaders			
Material	Salt, Sand, Granulate, Mixed (max 5/16" Ø)			

OPTIONAL LIQUID SYSTEM***

MODEL	800 TR	1200 TR	1500 TR	1900 TR
Pre-wet, Spray volume	0.8-3.2 gal/min	0.8-3.2 gal/min	0.8-3.2 gal/min	0.8-3.2 gal/min
Spray bar, Spray volume	20 gal/lane mile at 10-20 mph			
Pre-wet, Spraying width	3' - 26' (together with spreading material)			
Spray bar, Spraying width	7' - 16'	7' - 16'	7' - 16'	7' - 16'
Pre-wet, liquid tank capacity	87 gal	120 gal	120 gal	120 gal
Spray bar, liquid tank capacity	87-238* gal	120-320* gal	120-320* gal	120-320* gal
Spraying material	Anti and de-icing liquids, water. **			

* With optional bladder tank inside for spray bar system

** Do not use flammable or petroleum liquids for the liquid system

*** Patent pending

Specifications and other details are subject to change without notice.

SPRAYSTRIKER™ SPECIFICATIONS



ICESTRIKER™ DSB

MODEL	80 DSB	100 DSB	90 DSB	110 DSB	140 DSB	180 DSB
Width	35"	35"	47"	47"	47"	47"
Height	24"	29"	24"	27"	30"	33"
Volume	8 cu ft	10 cu ft	9 cu ft	11 cu ft	14 cu ft	18 cu ft
Weight (empty)	300 lbs	375 lbs	355 lbs	420 lbs	440 lbs	465 lbs
Spreading width	2.6'	2.6'	3.6'	3.6'	3.6'	3.6'
Self loading	Yes					
Source of power	Hydraulic or 12V electric					
Material	Salt, sand, fine gravel/ mixed (max 3/8" Ø)					
Vehicle	Tractors & Loaders					



SPRAYSTRIKER™ 500-3250 HI-FLOW SPRAYER*

MODEL	500	750/800	1000	1600	2650	3250
Height	50"	56"	63"	63"	94"	94"
Width	57"	69"	78"	78"	88"	88"
Length	105"	111"	113"	161"	145"	175"
Tank volume	500 gal	750/800 gal	1000 gal	1600 gal	2650 gal	3250 gal
Spray width (max)	30'					
Spray volume, 12V/24V	20/40 gal/min					
1 lane, Max speed @20 gal/lane mile	50 mph					
3 lane, Max speed @20 gal/lane mile	20 mph					
Weight (empty)	1150 lbs	1215/1230 lbs	1280 lbs	1720 lbs	2100 lbs	2500 lbs

* Patent pending

Specifications and other details are subject to change without notice.

SPRAYSTRIKER™ & BRINEMIXX™ SPECIFICATIONS



SPRAYSTRIKER™ 135-400 SPRAYER

MODEL	135	200	265	400
Height	41"	49"	41"	41"
Width	42"	50"	42"	42"
Length	39"	50"	63"	89"
Tank volume	135 gal	200 gal	265 gal	400 gal
Spray width (max)	16'	16'	16'	16'
Spray volume	20 gal/lane mile at 20 mph			
Weight (empty)	400 lbs	440 lbs	505 lbs	620 lbs



SPRAYSTRIKER™ 65 TR & 90 UTV SPRAYER

MODEL	65 TR	90 UTV
Liquid tank capacity	65 gal	90 gal
Width	35"	39"
Height	47"	37"
Length	28"	34"
Weight (empty)	265 lbs	310 lbs
Spray bar width	2.6', 4' or 6.5'	2.6', 4' or 6.5'
Spraying width	2.6' - 16'	2.6' - 16'
Spray volume	0.8-4.8 gal/min	0.8-4.8 gal/min
Power supply	12 V, max 30 Ah	12 V, max 30 Ah



BRINEMIXX™ BRINE BLENDER

MODEL	135	370	800
Capacity	135 gal	370 gal	800 gal
Output (max)	80 GPM	80 GPM	80 GPM
Empty weight	119 lbs	187 lbs	370 lbs
Height	41"	50"	79"
Tank diameter	35"	49"	59"
Total diameter	43"	58"	67"

Specifications and other details are subject to change without notice.

SNOW AND ICE CONTROL EXPERTS

Hilltip is a leading European manufacturer of road maintenance equipment for trucks, tractors, UTVs and more.

Our products are designed, engineered, and manufactured in our factory in Finland and distributed worldwide. Head office, development, and main production are located in Pietarsaari, Finland, and we have two subsidiaries: Hilltip Corp., with a North American production plant in Indiana, USA, and Hilltip GmbH sales office in Germany.

The climate of Finland and many years of experience have made us experts in developing the most efficient and durable products for snow and ice control. The combination of high quality materials and state of the art technology makes it hard to compete with Hilltip products.



Hilltip Corp.
4519 Allen Martin Dr.
Fort Wayne, IN 46806
USA

📞 260-447-7900
www.hilltipna.com
info@hilltipna.com

Dealer:



Hilltip reserves the right under its product improvement policy to change construction or design details and furnish equipment when so altered without reference to illustrations or specifications used. Hilltip or the vehicle manufacturer may require or recommend optional equipment for spreaders and sprayers. Do not exceed vehicle ratings with a spreader or sprayer. Hilltip products are manufactured under several US and foreign patents pending. Hilltip offers a limited warranty for all products. See separate document for warranty information. The following are registered (®) and unregistered (™) trademarks of Hilltip: IceStriker™, SprayStriker™, BrineMixx™, SnowStriker™, SweepAway™, Jet-it™, StrikeSmart™, HTrack™, TempStriker™, Hilltip®.